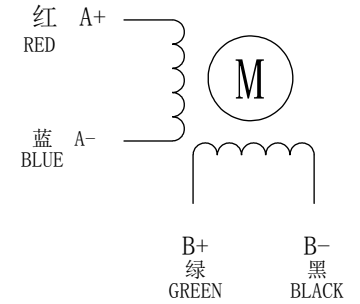


接线图/WIRING DIAGRAM



电机特性参数/ELECTRICAL PARAMETER

| | |
|---|--|
| 步距角/STEP ANGLE | 1.8° ±5% |
| 相数/NO. OF PHASES | 2 |
| 额定电压/RATED VOLTAGE | 1.28V |
| 额定电流/RATED CURRENT | 1.0A |
| 电阻/RESISTANCE | 1.28ohm±10% AT25℃ |
| 电感/INDUCTANCE | 1.89mH±20% AT 1kHz, 1Vrms |
| 保持力矩/HOLDING TORQUE | 0.15N.m |
| 运行力矩/(AT —PPS) RUNNING TORQUE(AT —PPS) | ——以上/MIN (——V.DC, ——A/相(PHASE), ——相励磁/EX) |
| 绝缘耐压/DIELECTRIC STRENGTH | 500V A.C 1分钟/MINUTE |
| 绝缘电阻/INSULATION RESISTANCE | 100MΩ 以上/MIN. |
| 绝缘等级/INSULATION CLASS | CLASS B |
| 温度上升/TEMPERATURE RISE | 80K MAX. |
| 转子惯量/ROTOR INERTIA | 41g.cm ² |
| 重量/WEIGHT | 约/APPROX. 230克/g |
| 允许轴向负载/ALLOWABLE THRUST LOAD | 3N |
| 允许径向负载/ALLOWABLE RADIAL LOAD | 20N(轴端/ON THE SHAFT END) |
| 运行环境温度/OPERATION AMBIENT TEMP. | -20℃——+50℃ |
| 运行环境湿度/OPERATION AMBIENT HUM. | 15%——90% |
| 寿命/LIFE | 5000小时/HOURS |

励磁顺序(2相励磁) VS. 旋转方向
EXCITING SEQUENCE (TWO PHESSES)
VS. DIRECTION OF ROTATION

| | | | | | | |
|------|------|----|----|----|----|-------|
| | STEP | A+ | B+ | A- | B- | |
| CW ↓ | 1 | + | + | - | - | ↑ CCW |
| | 2 | - | + | + | - | |
| | 3 | - | - | + | + | |
| | 4 | + | - | - | + | |

从安装面看为顺时针方向
CLOCKWISE VIEW FROM MOUNTING SIDE

已受控

| | | | | | | | | | |
|---|----------|-------------|-------------|-----------------|-------------------|----------|------------|----------------------------------|---|
| CONFIRMED&ACCEPTED BY CUSTOMER (客户确认&接受) | | | | | | | | | |
| COMPANY CHOP&SIGNATURE (盖章&签名) | | | | | | | | | |
| 一般公差 TOLERANCE | ±0.3/±3° | 版本 REV. | 年月日 DATE | 变更番号 ECR NO. | 变更内容 REVISIONS | 设计 BY | 备注 NOTE | REV. | A |
| 设计/DESIGNED | | 比例 SCALE | | 型号/MODEL | | | | 三维图 THIRD ANGLE PROJECTION | |
| 审核/CHECKED | | 单位 UNIT | mm | 42A01 | | | | | |
| 深圳锐特机电技术有限公司 | | | | | | | 页 SHEET | 1/1 | |

备注(NOTE):
1. 额定电流, 两相同时通电/AT RATED CURRENT, TWO PHASES ON.
2. 热阻法: 电机安装在84*84*T5的铝板上, 电机线圈两端通额定电压, OPPS /MEASURED BY RESISTANCE METHOD. MOUNT WITH ALUMINUM HEAT SINK 84*84*T5 AT TWO WINDING BE EXCITED BY RATED VOLTAGE, OPPS, 2PHASE ON.
3. 寿命测试条件: 整步, 运行速度为500PPS, 轴承的表面温度不超过70° C LIFE TEST CONDITION: 2PHASE EXCITING, FULL STEP, AT 500PPS. STARTING PULSE, BEARING TEMPERATURE SHOULD BE 70° C MAX.